

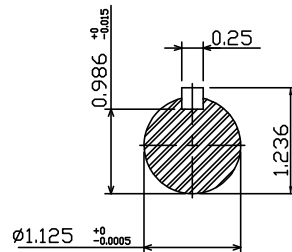
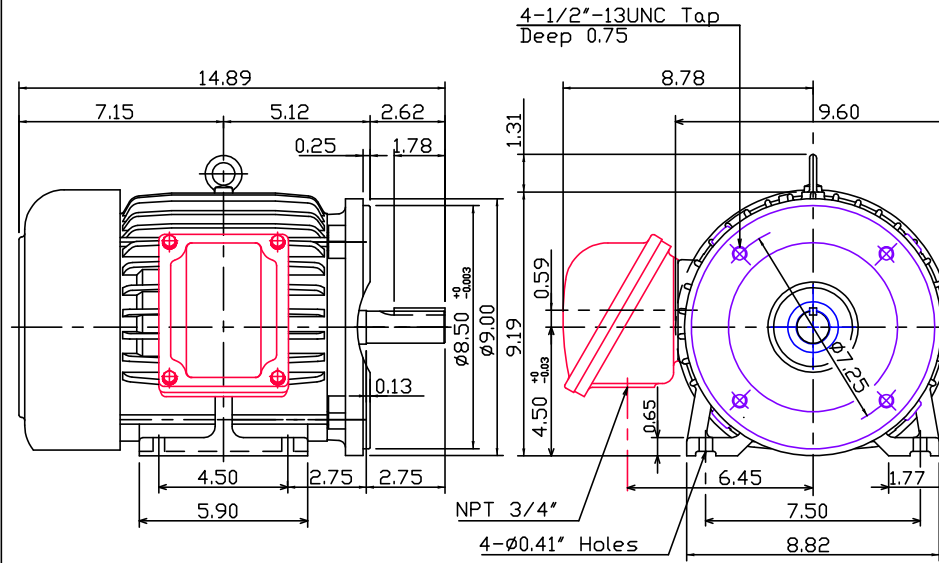
OUTLINE DIMENSIONS

3-PHASE INDUCTION MOTOR

MOTOR TYPE:

FRAME NO. 182TC

Totally Enclosed Fan-Cooled Type. Squirrel-Cage Rotor.



Note:  
1. Explosion proof:  
Class I Group C,D and  
Class II Groups E,F,G.

**BROOK  
CROMPTON**

DWG NO.